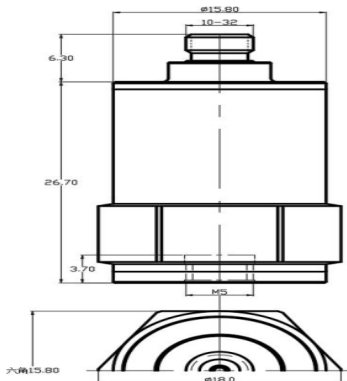


Ultra-high Temperature Differential Charge Output Accelerometer

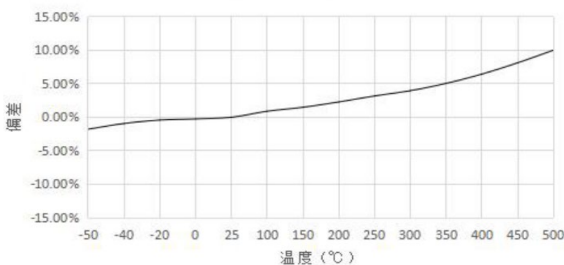
Model No: C02AT2

Product Features:

- Designed Specifically for High-Temperature Testing Environments
- Maximum operating temperature reaches 500°C, with an ultra-low sensitivity temperature coefficient
- Special heat-resistant metal casing and special heat-resistant piezoelectric materials, ensuring low temperature drift
- Special Dual Coaxial 10-32 Output Connector Form
- Optional High-Temperature Metal Cable Available



灵敏度温度响应



Product Factory Configuration:

- User Manual
- Factory Calibration Report
- Standard 3-meter High-Temperature

Technical specifications

Features	Units	C02AT2
Sensitivity	pC/g	10
Measuring Range	g	±800
Frequency Response ±5%	Hz	10-5k
Frequency Response ±10%	Hz	1-7k
Amplitude Linearity	%	≤1
Transverse Sensitivity	%	≤5
Mounting Resonant Frequency	kHz	≥25

Environmental		
Base strain	g/ε	0.0008
Shock Limit ¹	g pk	1500
Maximum Vibration ²	g rms	1000
Sensitivity Temperature Coefficient	%/°C	0.020
Operating Temperature	°C	-50~500
Sealing Type	IP68	Laser welding

Electrical Parameters		
Output Type	Differential	
Element Capacitance	pF	500
Element Insulation Resistance	25°C Ω	≥1×10 ⁹
Element Insulation Resistance	500°C Ω	≥1×10 ⁷

Structure		
Sensitive Element	High-Temperature Piezoelectric Ceramic	
Sensitive Element	Nickel-Based Alloy	
Sealing Type	Laser welding IP68	
Output Connector	10-32 top end	
Installation Type	M5	
Insulation Resistance to Ground	Ω	≥1×10 ⁸

Mass	g	30
Recommended Installation Torque	N-m	3.0

Notes: 1,2: Refer to the sensor's mechanical structure not being damaged while in a non-powered state.